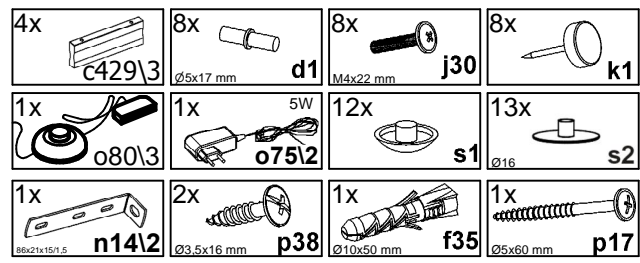
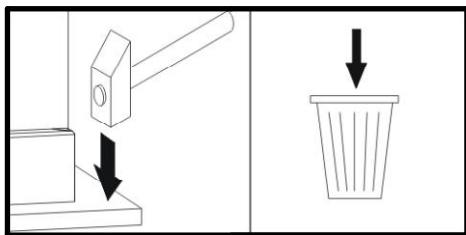
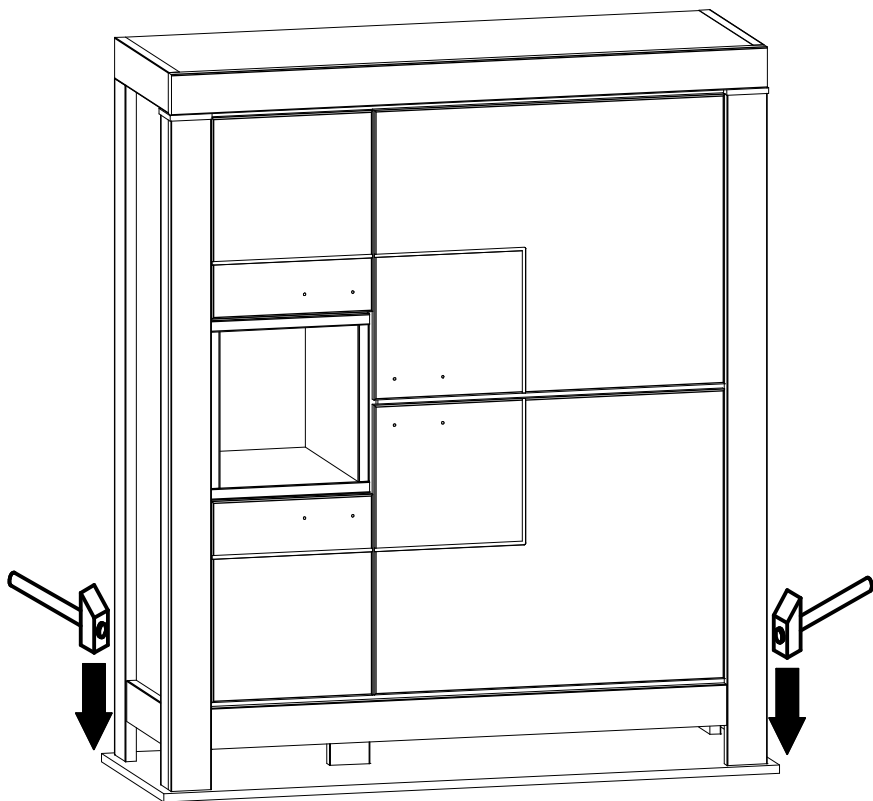


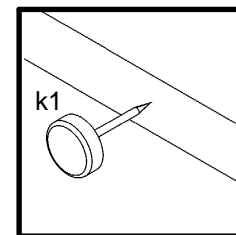
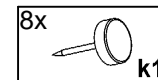
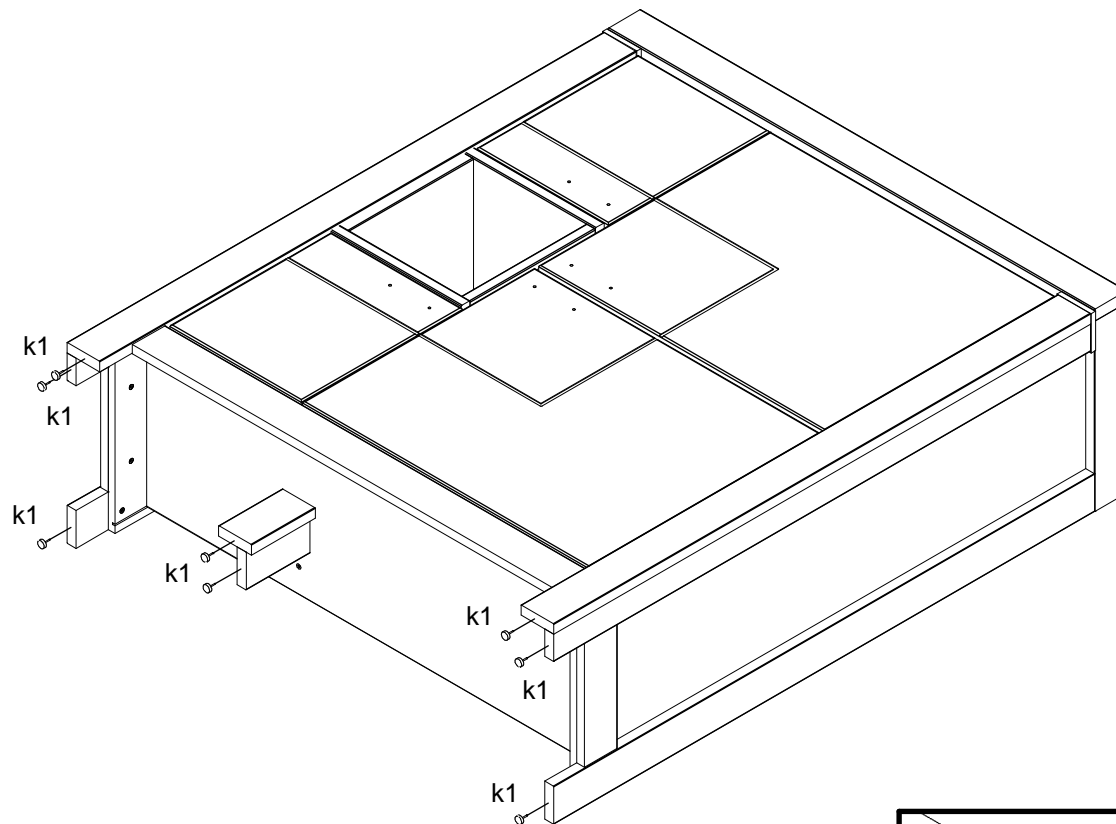
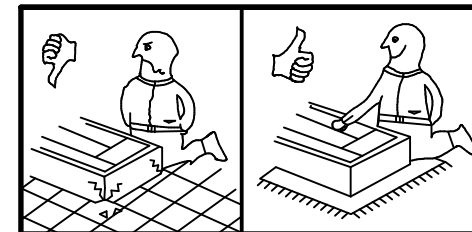
| A | B | C (mm) | | D |
|----|-----------|--------|------|-----|
| 1 | S228-5506 | 401 | 80 | 1/1 |
| 2 | S271-0014 | 565 | 697 | 1/1 |
| 3 | S271-0015 | 565 | 697 | 1/1 |
| 4 | S271-0016 | 392 | 320 | 1/1 |
| 5 | S271-0017 | 392 | 320 | 1/1 |
| 6 | S271-1010 | 1303 | 401 | 1/1 |
| 7 | S271-1011 | 1303 | 401 | 1/1 |
| 8 | S271-1012 | 1210,5 | 381 | 1/1 |
| 9 | S271-1013 | 305 | 395 | 1/1 |
| 10 | S271-2107 | 1141 | 401 | 1/1 |
| 11 | S271-2108 | 319 | 397 | 1/1 |
| 12 | S271-2109 | 319 | 397 | 1/1 |
| 13 | S271-3112 | 1109 | 381 | 1/1 |
| 14 | S271-3113 | 730 | 381 | 1/1 |
| 15 | S271-3114 | 363 | 381 | 1/1 |
| 16 | S271-3115 | 729 | 371 | 1/1 |
| 17 | S271-3116 | 363 | 381 | 1/1 |
| 18 | S271-5011 | 1185 | 80 | 1/1 |
| 19 | S271-5023 | 263 | 80, | 1/1 |
| 20 | S271-5024 | 1308 | 80 | 1/1 |
| 21 | S271-5025 | 1308 | 80 | 1/1 |
| 22 | S271-5026 | 1308 | 58, | 1/1 |
| 23 | S271-5027 | 1308 | 58, | 1/1 |
| 24 | S271-5028 | 1318 | 80 | 1/1 |
| 25 | S271-5029 | 1318 | 80 | 1/1 |
| 26 | S271-5030 | 1025 | 80, | 1/1 |
| 27 | S271-5031 | 1107 | 40 | 1/1 |
| 28 | S271-5059 | 155 | 80 | 1/1 |
| 29 | S271-9004 | 1230 | 1119 | 1/1 |
| 30 | S271-5093 | 155 | 80 | 1/1 |



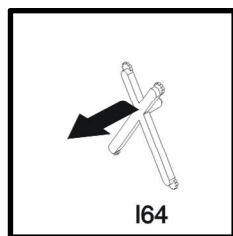
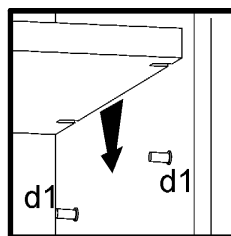
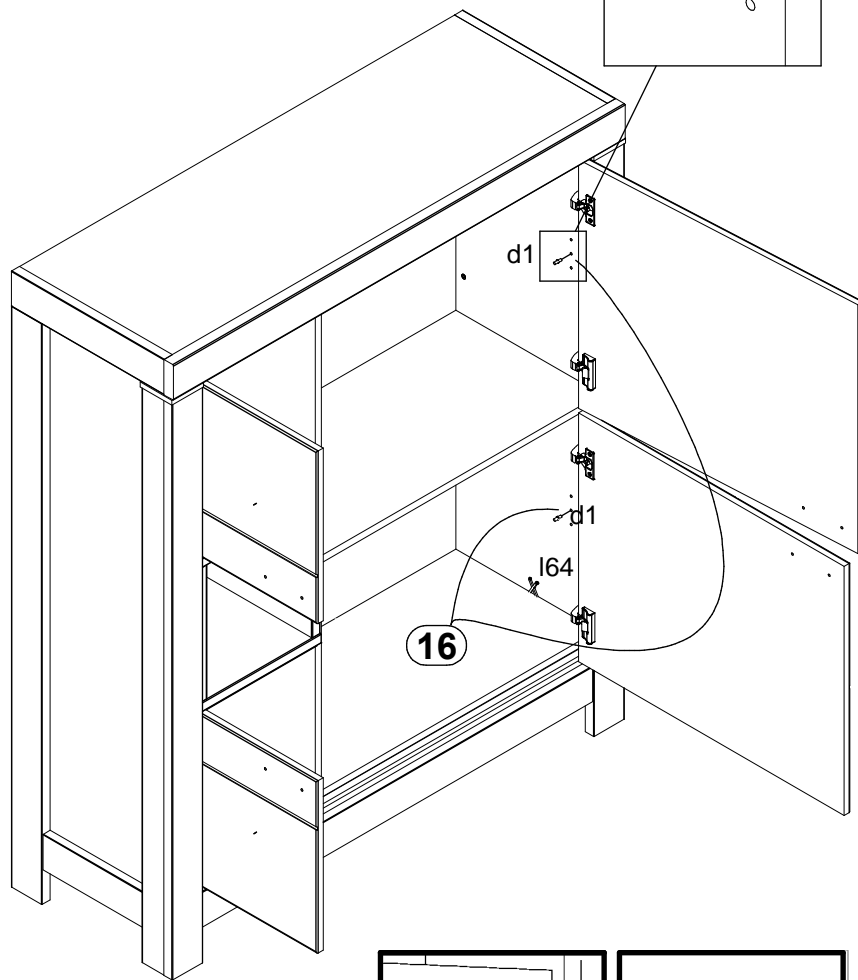
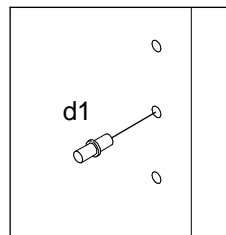
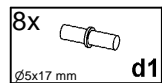
1



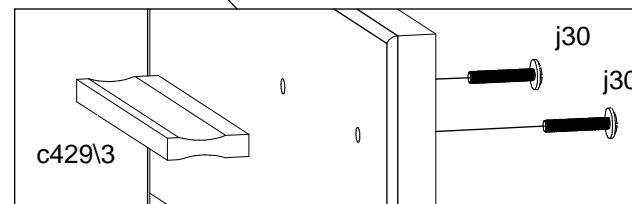
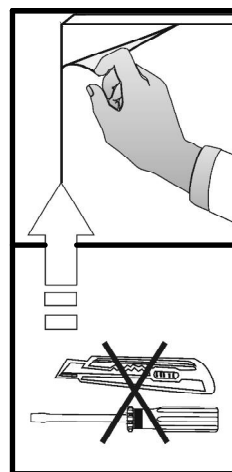
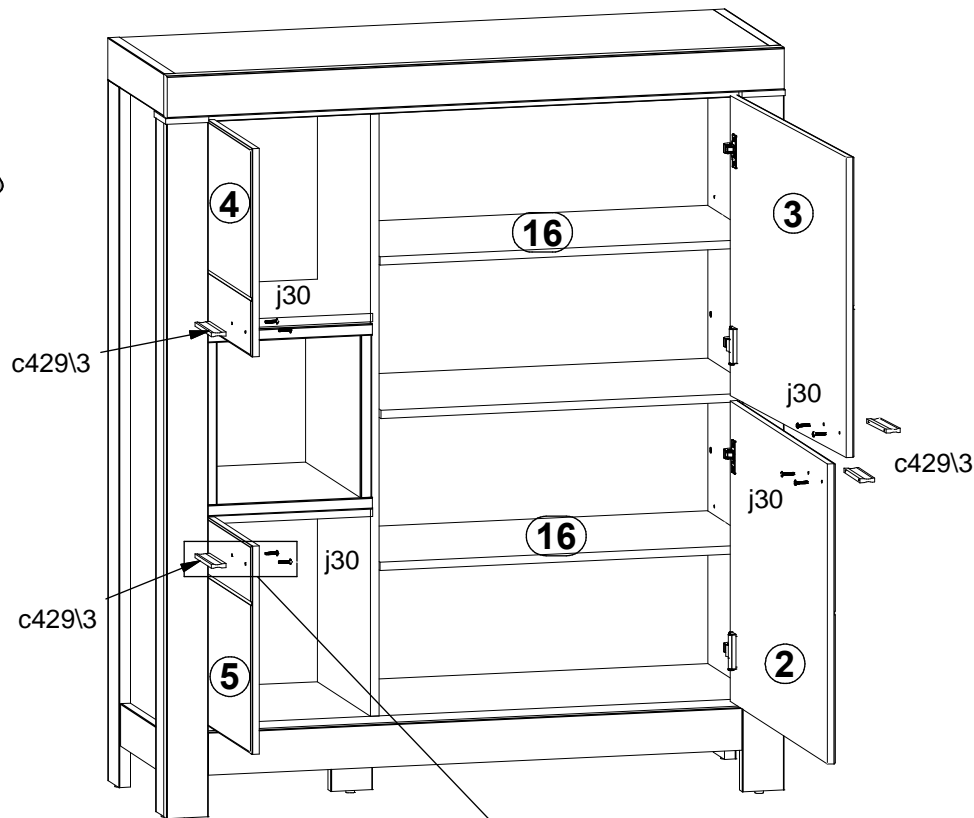
2



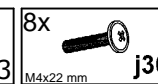
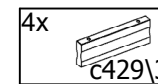
3



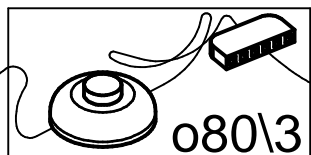
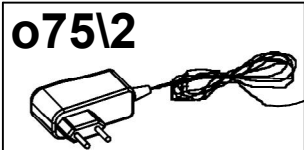
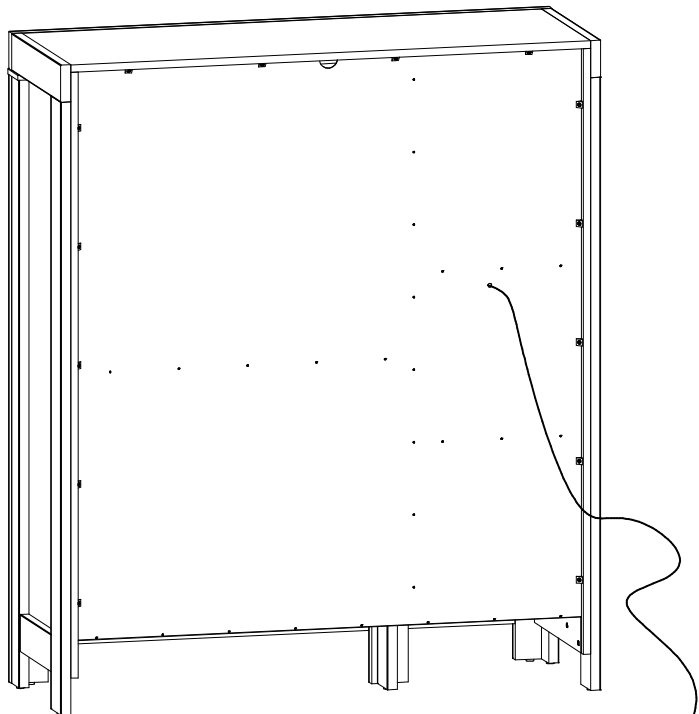
4



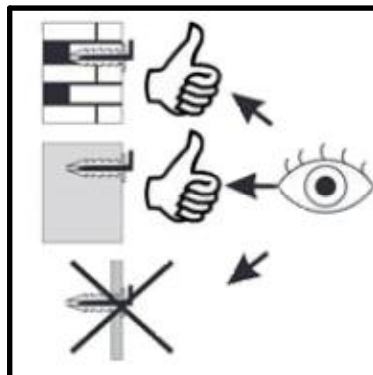
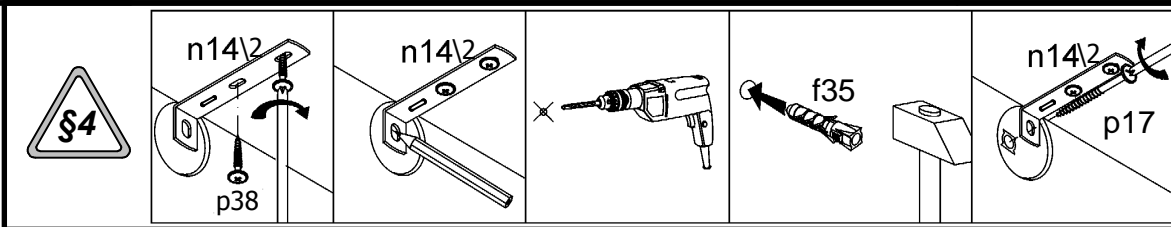
40543W06



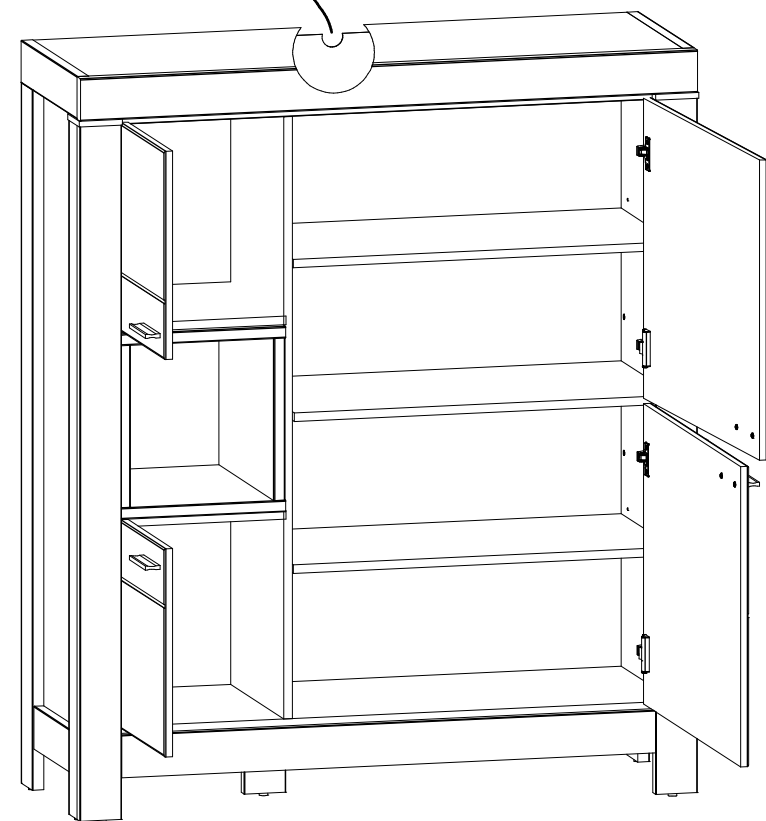
5



6



- | | |
|------------------------------------|--------------------------------|
| 1x 86x21x15/1.5 n14\2 | 2x p38 Ø3.5x16 mm |
| 1x Ø10x50 mm f35 | 1x Ø5x60 mm p17 |



7

